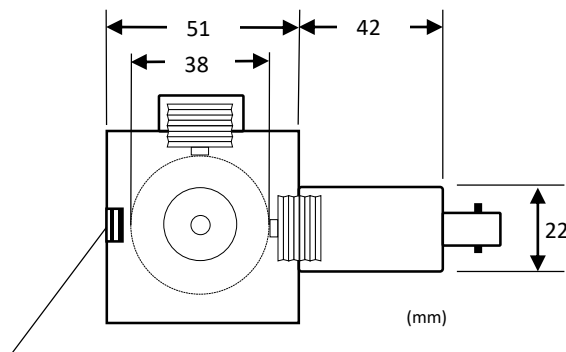
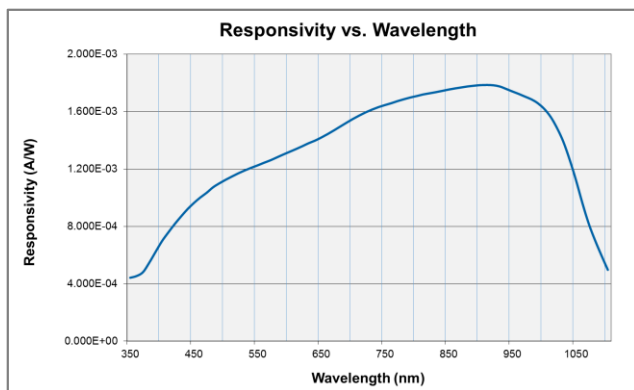


UDT Model S2575 Mini Integrating Sphere



The model S2575 Integrating Sphere consists of a model 260 silicon sensor coupled to a model 2575, 50 mm diameter integrating sphere. The unit provides measurements in W or mW.

Our wide range of optical power meters, photometric and radiometric sensors is complemented by ISO/IEC 17025 accreditation by NVLAP (NVLAP lab code 200823-0), resulting in unmatched performance and custom configuration as required.



Mounting Hole 1/4-20 UNC

Key Specifications	Part No. U21-00-42
Key Features	Measurement in W or mW
Detector Information	Silicon 0.34 cm ² active area
Rise Time	1 μ sec
Aperture Diameter	5 mm
Dynamic Range	3.0 x 10 ⁻⁸ to 9.5 x 10 ⁻¹ W
Typical Response	1.7 x 10 ⁻³ A/W @ 940 nm
Standard Calibration	Single Point @ 633 nm
Optional Calibration Range	350 to 1100 nm
Cable	2 meter, included
Compatible with Handheld & Benchtop series Optical Meters.	