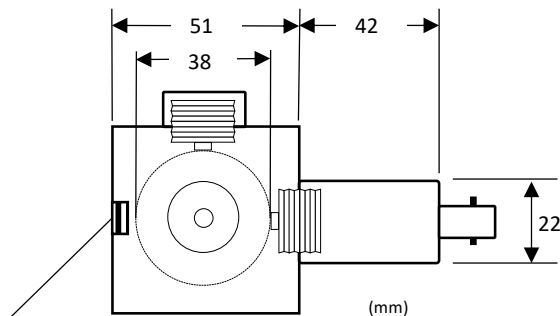
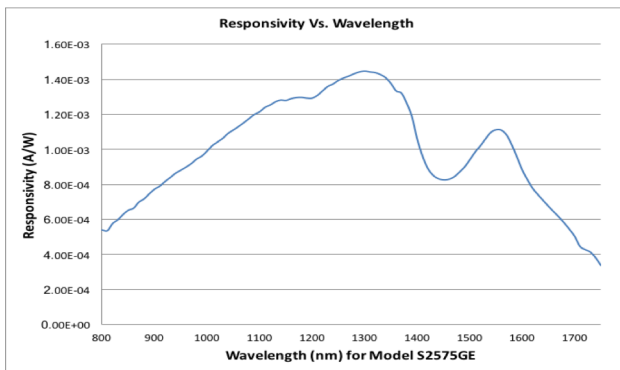


UDT Model S2575GE Germanium Mini Integrating Sphere



The model S2575GE Integrating Sphere consists of a model 261 Germanium sensor coupled to a model 2575, 50 mm diameter integrating sphere. The unit provides measurements in W or mW and is optimized for 1300 and 1550 nm wavelengths in the near-infrared portion of the spectrum.

Our wide range of optical power meters, photometric and radiometric sensors is complemented by ISO/IEC 17025 accreditation by NVLAP (NVLAP lab code 200823-0), resulting in unmatched performance and custom configuration as required.



Mounting Hole ¼-20 UNC

Key Specifications

Part No. U21-00-54

Key Specifications	Part No. U21-00-54
Key Features	Measurement in W or mW
Detector Information	Germanium 0.50cm ² active area
Rise Time	4 μ sec
Aperture Diameter	5 mm
Dynamic Range	3.0 x 10 ⁻⁹ to 1.6 W
Typical Response	1.9 x 10 ⁻³ A/W @ 1300 nm
Calibration Range	800 to 1750 nm in 10 nm steps
Cable	2 meter, included
Compatible with Handheld & Benchtop series Optical Meters.	